

# Contour Mirror Installation Instructions

## Features -

LED Side Lighting  
Sensor Dimmer Switch  
De Mist Function  
Shaver Socket

## Models -

### Contour-5

700 x 500mm wide  
50 x 700mm Landscape

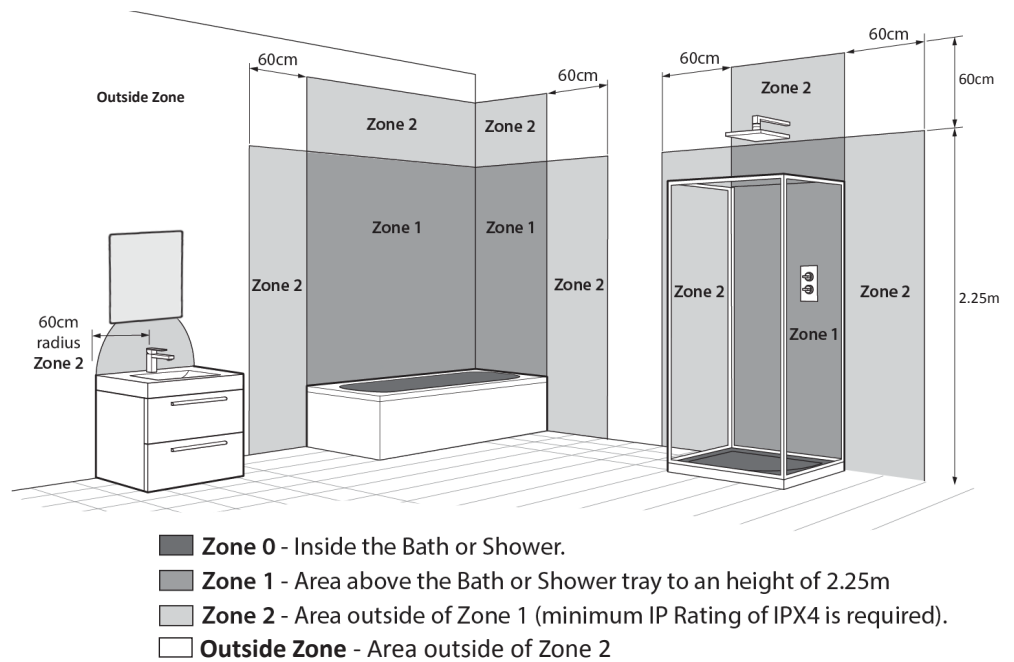
### Contour-6

800 x 600mm wide Portrait  
600 x 800mm wide Landscape



## Installation Areas

All Contour mirrors are CE approved & IP44 rated and are suitable for installation in a bathroom within “Zone 2” or the “Outside Zone”. See diagram -



## Safety & Care

Wear suitable eye protection when drilling. Take care when using power tools near water - the use of a RCD (Residual Current Device) is advised. Beware of hidden cables or pipes when drilling. It is recommended that a piece of masking tape is applied to the wall before marking out the fixing holes to help prevent the drill slipping when drilling the fixing holes.

Contour Mirrors are manufactured in 5mm glass, do not strike glass surfaces with hard or sharp items. Do not place very hot or very cold items against the glass. Do not cover the glass when the mirror is in use.

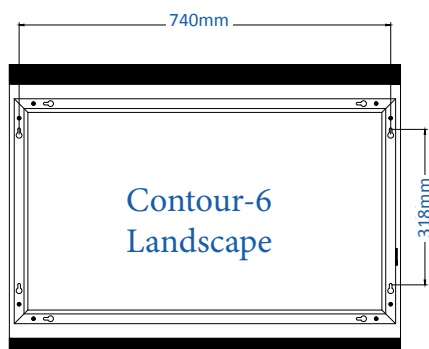
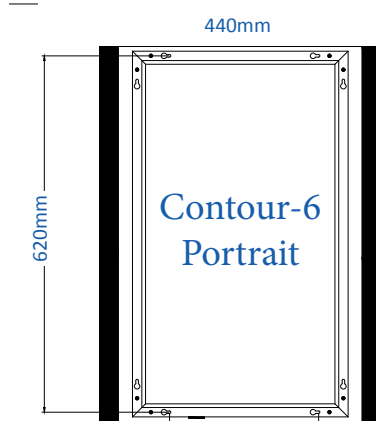
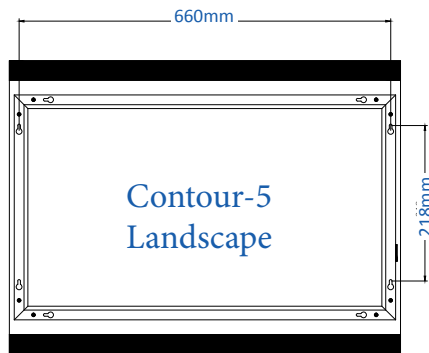
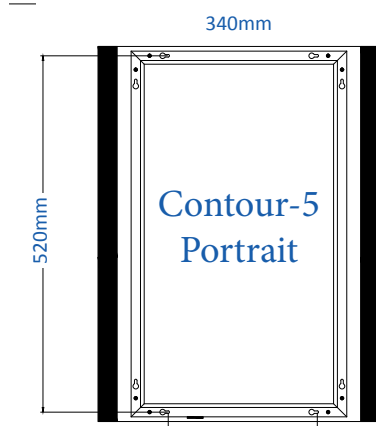
Ensure that the wall surface is of suitable strength to hold the weight of the mirror.

# Installation

## All mirrors should be installed by a qualified electrician

The mirrors have keyholes cut in the aluminium frame for secure fixing of the mirror to the wall. The mirrors have 4 keyholes for hanging in portrait and 4 keyholes for hanging in landscape.

The measurements for these are given in the diagrams below -

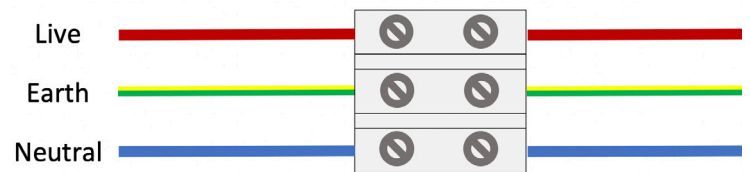


Following the relevant diagram for your mirror mark the 4 hanging positions onto your wall.

Ensure the holes are level and parallel with a spirit level

Push raw-plugs into the holes and fix screws into each of the 4 holes leaving 2-3mm of screw thread protruding from the wall.

Ensure the electricity supply to the cable in the wall is switched off and connect the wire from the back of the mirror to the power cable using a suitable terminal block.



Hang the mirror on the 4 fixing points. Make sure the mirror is pulled down equally into the top of the keyholes.

If the mirror is not tight to the wall remove the mirror and tighten the screws further and re hang, repeat until the mirror is firm on the wall.

Turn on the power to the bathroom, upon turning on the power to the bathroom the sensor dimmer switch on the mirror will light up.

## Operating the Mirror

To turn on the mirror press the sensor switch. the switch has a dimmer function to operate the dimmer keep your finger on the sensor switch the light will dim from 100% to 10% and then back again, remove your finger at the desired level of brightness.

To turn the mirror off press the switch again.

The built in de mist pad will also be on when the mirror lights are on.