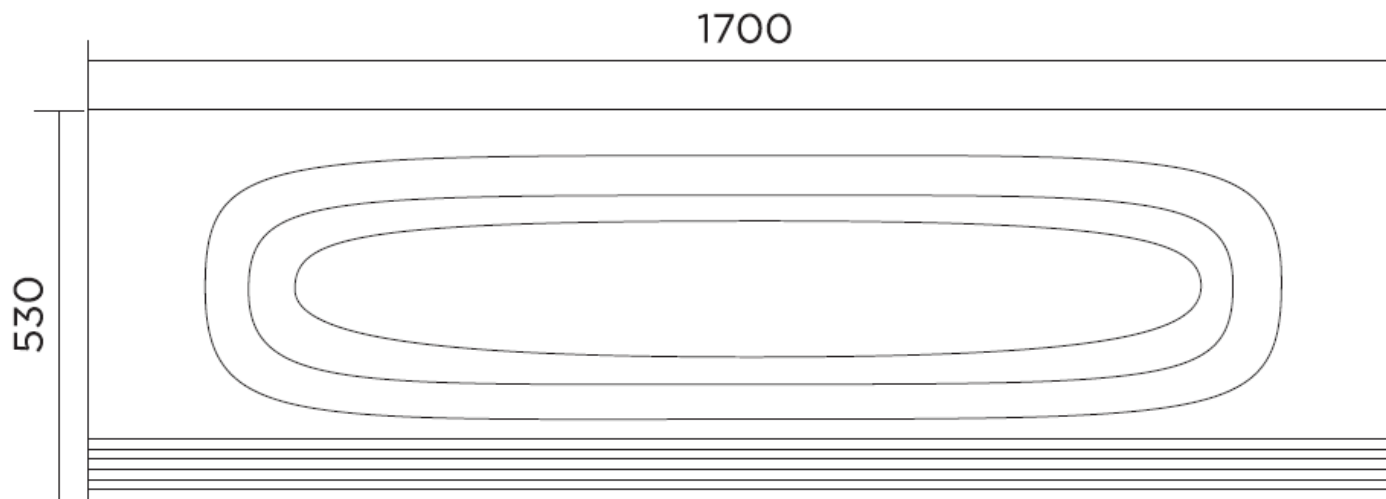


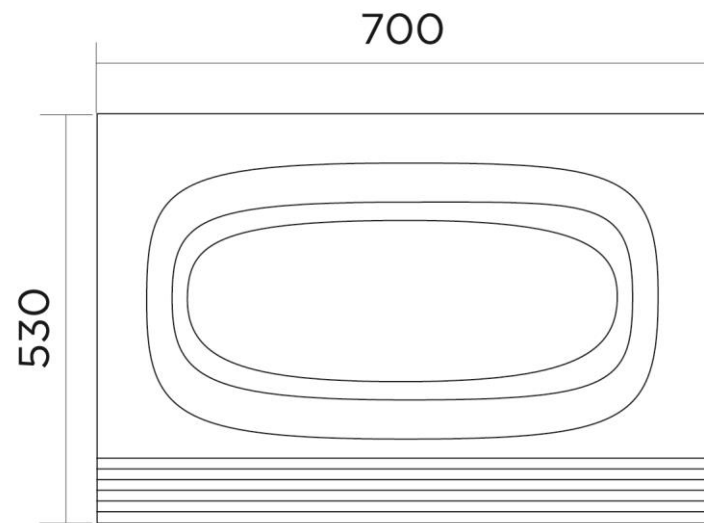
152/000 Cavalier Oval Bath Panel Front White

All Cavalier Oval bath panels front and ends are made from vacuum formed 1.7mm HIPS (High Impact Polystyrene.)

Each end panel comes with 1 x colour match corner post to enable installation with a front panel



162/000 Cavalier Oval Bath Panel End White



LUXURY BATH PANELS

FIXING OUR LUXURY BATH PANELS IS QUITE EASY

1. ENSURE BATH HAS WOODEN BATON 2" x 1" FIXED TO FLOOR PARALLEL TO WOOD BATON/STEEL FRAME ALREADY FIXED TO UNDERSIDE OF BATH.
2. IF PANEL IS TOO HIGH, SHORTEN BY CUTTING USING SHARP KNIFE.
3. PLACE PANEL ONTO FRAME AND SECURE THROUGH PLASTIC WITH FIXING SCREWS - NOT INCLUDED - OR DOUBLE SIDED ADHESIVE.
4. PLACE CORNER STRIP ON EDGE. (IF END PANEL IS BEING USED).

