

Paper towel dispenser

- Dispenser paper towel to fix to the wall.
- Front loading.
- Made of white ABS.
- Manual output and cut.
- With security lock.



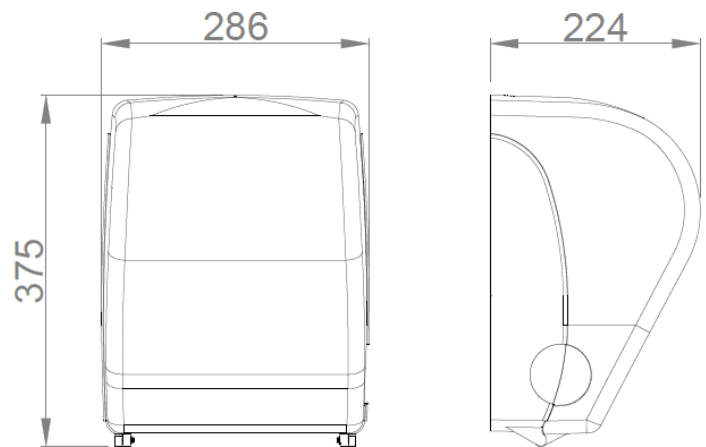
TECHNICAL DATA

- Made of white ABS plastic.
- Operation without batteries, manual traction.
- Consumable: maximum roll Ø200 x 197-210 mm.
- Dimensions: 375 height x 286 width x 224 depth (mm).

SUGGESTED TEXT FOR PRESCRIPTION

NOFER paper towel dispenser, white ABS, front opening to fix to the wall. Dimensions: 375 height x 286 width x 224 depth (mm).

TECHNICAL DRAWING



DIMENSIONS IN mm



NOFER S.L.
 Avenida de la fama, 118
 08940 · Cornellà de Llobregat (Barcelona)
 Tel +34 934 742 423 · Fax +34 934 743 548
 nofer@nofer.com · www.nofer.com

Related Products

