

The Buxton STA-TITE® is designed for universal pans and is made from durable, Tecnoplast thermoplastic material. The chrome-plated hinges provide a stylish accent for your bathroom and adjust to help achieve the perfect fit to your pan. This seat features STA-TITE®: the patented fixing system that always stays tight and takes the guesswork out of installation. The lower portion of the nut shears off when the proper tightness is reached, so you cannot over-tighten.



### SEAT FEATURES



STA-TITE® - patented fixing system that will not loosen! Simple, "no mess" installation ensures your seat stays tight on the pan

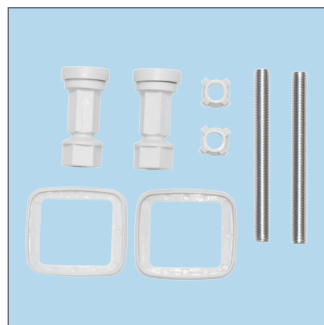


Virtually Unbreakable - made from Tecnoplast material that provides superior durability

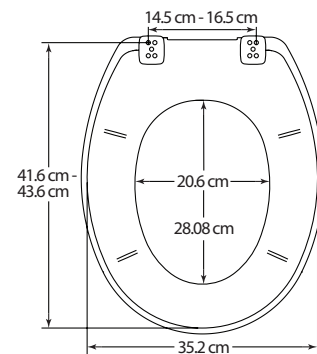


Recyclable - made from Tecnoplast material that is 100% recyclable

- Tecnoplast thermoplastic offers superior durability
- Adjustable chrome-plated hinges
- Fits majority of manufacturers' universal shaped pans



### SEAT DIMENSIONS



# No More Loose Seats!

Try STA-TITE<sup>®</sup>, the patented Bemis fixing system that will not loosen over time!

“No mess” installation is fast and easy, ensuring your seat stays tight.



**STATITE<sup>®</sup>**  
No More Loose Seats!

## Installation is Fast & Easy:

When fitted correctly, the seat will not slip, wobble or shift on the pan. This simple fixing system installs in three basic steps -- no glue required!



Finger Tighten



Tighten with Spanner



Snap to Secure

  
**BEMIS.**