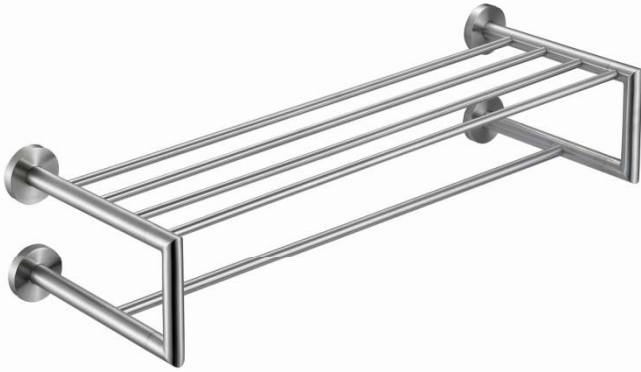


Towel grid

- Towel grid.
- Durability and resistance against corrosion.
- Suitable for public areas.
- Stainless steel satin finish.



TECHNICAL DATA

- Made in AISI 304 stainless steel.
- Dimensions: 156 high x 655 wide x 221 deep mm.
- Hidden wall fixations included.

SUGGESTED TEXT FOR PRESCRIPTION

Towel grid NOFER or similar, made in AISI 304 stainless steel satin finished. Dimensions: 156 high x 655 wide x 221 deep mm.



NOFER S.L.  
 Avenida de la fama, 118  
 08940 · Cornellà de Llobregat (Barcelona)  
 Tel +34 934 742 423 · Fax +34 934 743 548  
 export@nofer.com · www.nofer.com

Related Products



16850.S



16852.S



16858.S



16851.S



16855.S



16856.S